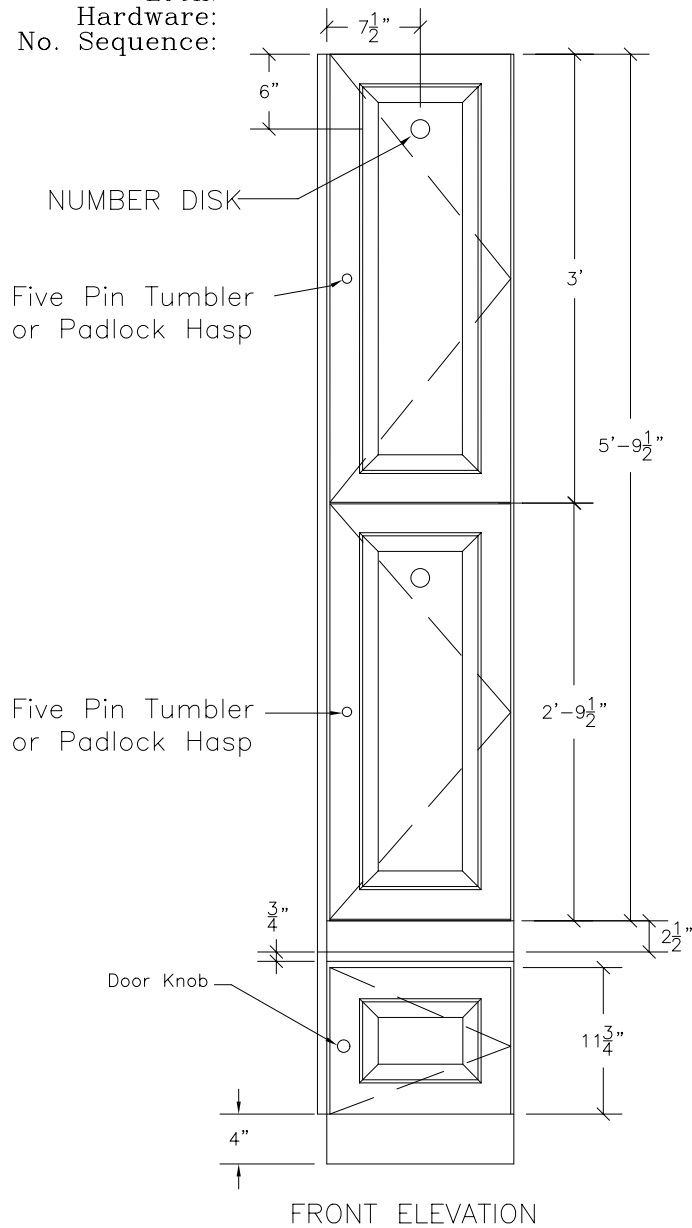
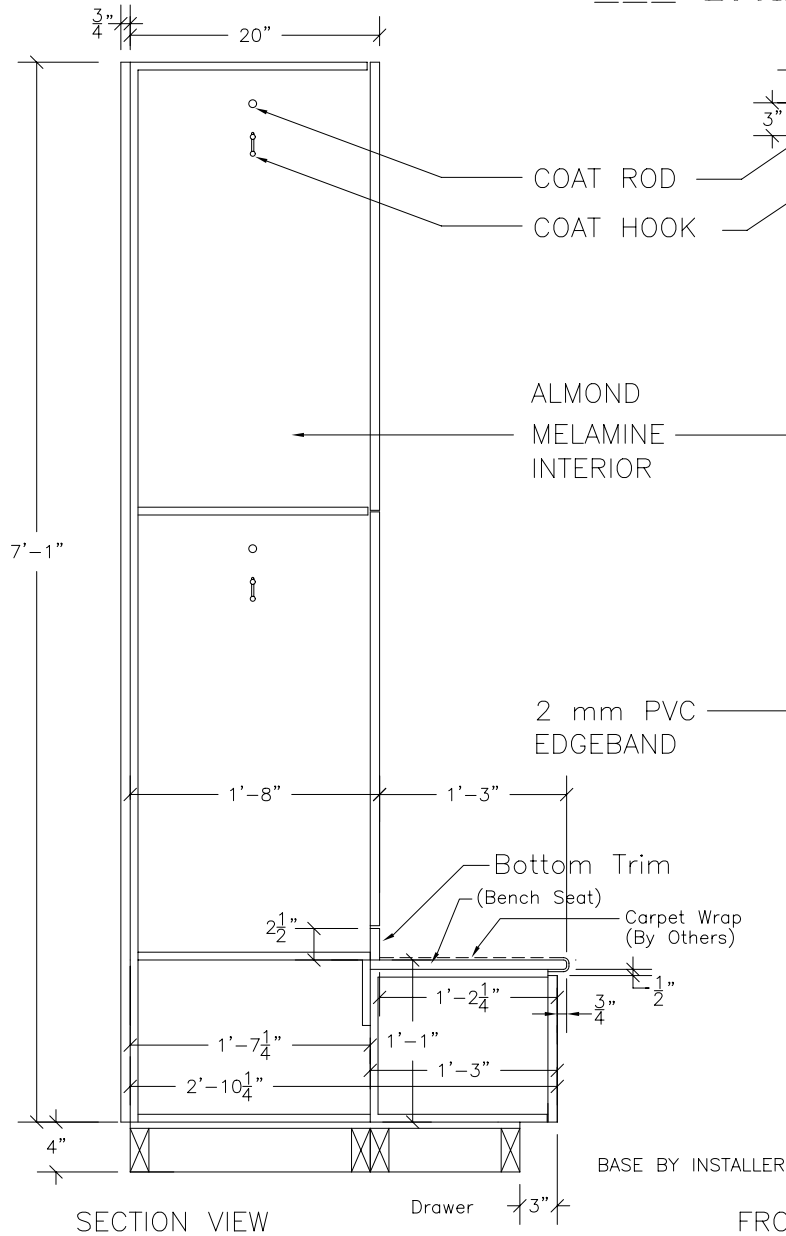


Locker Doors:
 Finish:
 Edgeband:
 Lock:
 Hardware:
 No. Sequence:

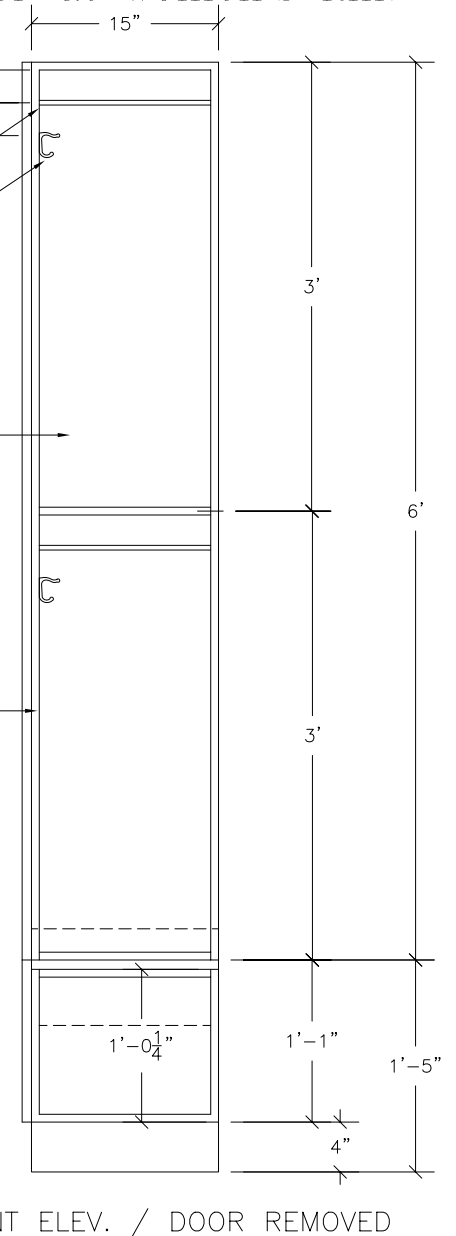
QTY.: ___ Locker at Men's Rm.
 ___ Locker at Women's Rm.



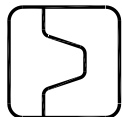
FRONT ELEVATION



SECTION VIEW



FRONT ELEV. / DOOR REMOVED



CLASSIC WOODWORKING
 667 SE 32ND AVE HILLSBORO, OR. 97123
 P: (503)692-0800 F: (503)692-7070

Model B-1/Custom
 Hollman Locker

DATE:	APPROVED:	DRAWN BY:
PROJECT:		
Scale: 3/4" = 1'-0"		DRAWING NO. B-wbs