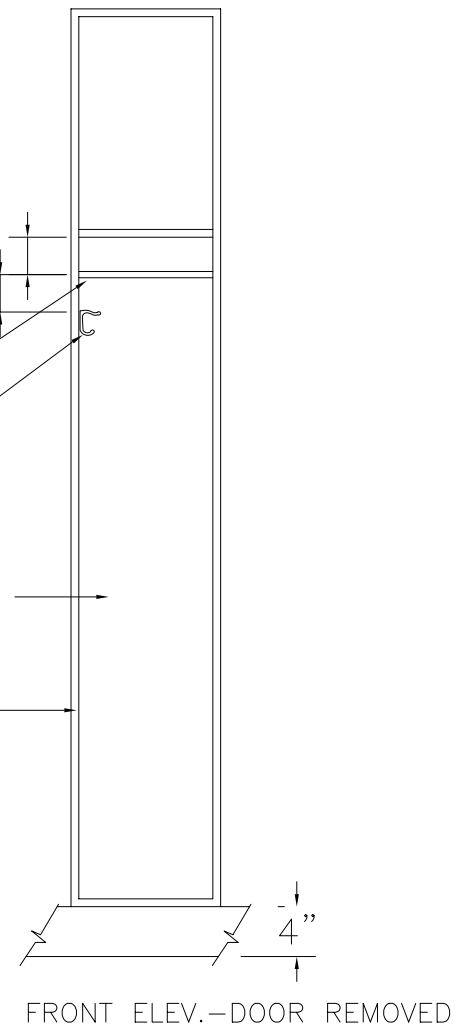
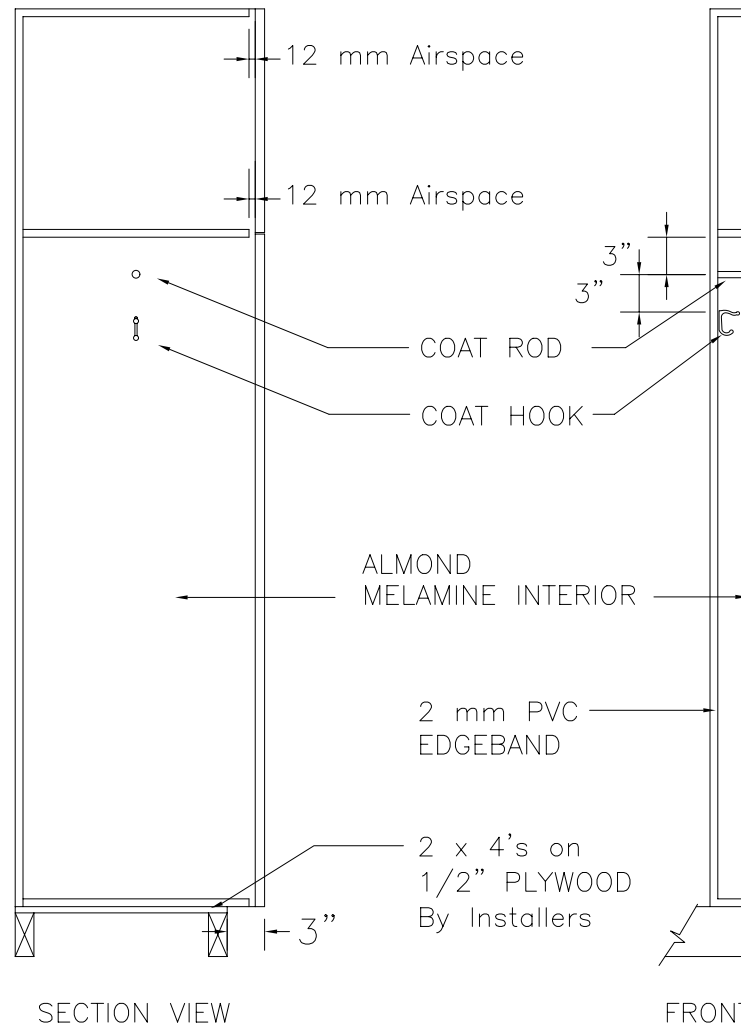
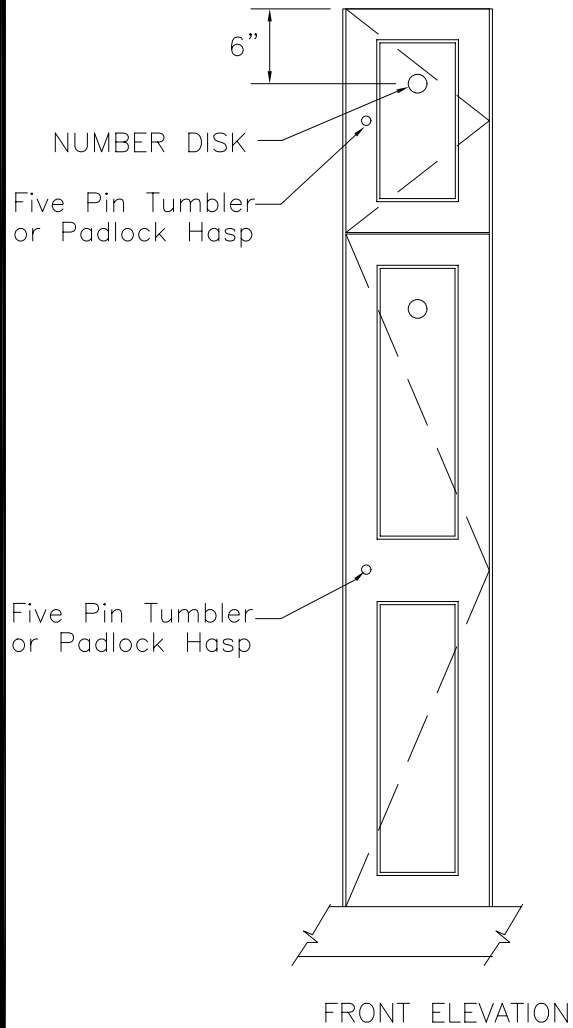


Locker Doors:
 Finish:
 Edgeband:
 Lock:
 Hardware:
 No. Sequence:

QTY: ___ Lockers at Men's Rm.
 ___ Lockers at Women's Rm.



CLASSIC WOODWORKING
 667 SE 32ND AVE HILLSBORO, OR. 97123
 P: (503)692-0800 F: (503)692-7070

Model G

DATE:	APPROVED:	DRAWN BY:
PROJECT:		
Scale: 3/4" = 1'-0"		DRAWING NO. G