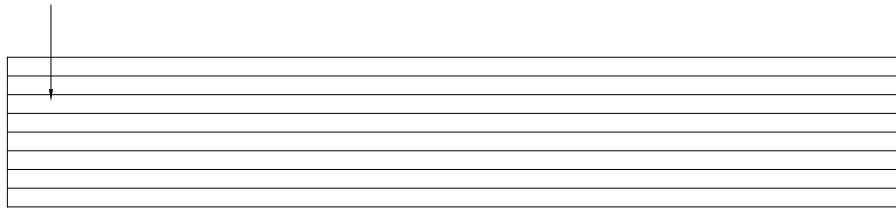


BUTCHER BLOCK BENCH

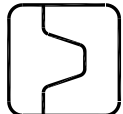
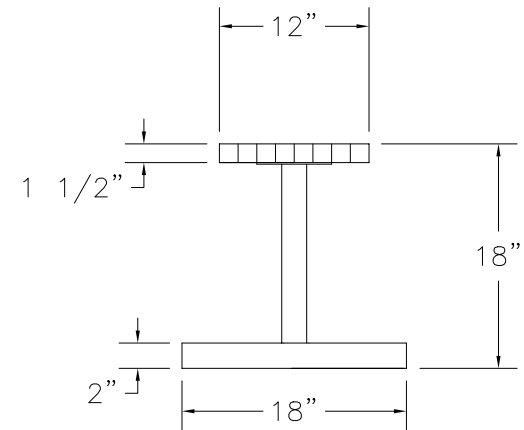
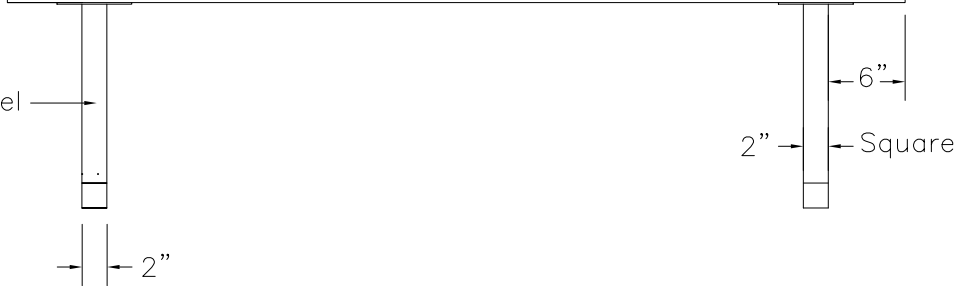
BENCH AVAILABLE IN SOLID RED OAK OR MAPLE
WITH STAINLESS STEEL LEGS OR WOOD PEDESTALS

ROOM:	LENGTH	QUANTITY
_____	_____	_____
_____	_____	_____
_____	_____	_____

SOLID WOOD WITH FINISH



Stainless Steel Leg



CLASSIC WOODWORKING
667 SE 32ND AVE HILLSBORO, OR. 97123
P: (503)692-0800 F: (503)692-7070

Butcher Block Bench

DATE:	APPROVED:	DRAWN BY:
PROJECT:		
Scale: 3/4" = 1'-0"	DRAWING NO. BBB	