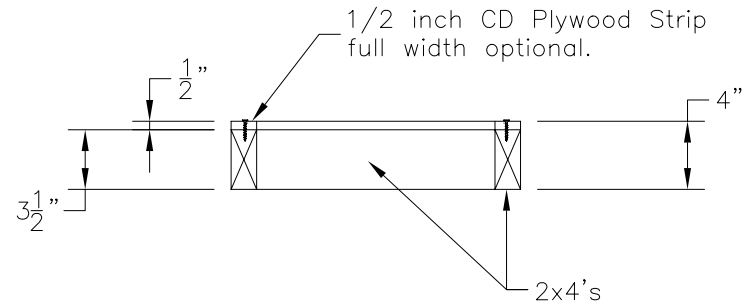


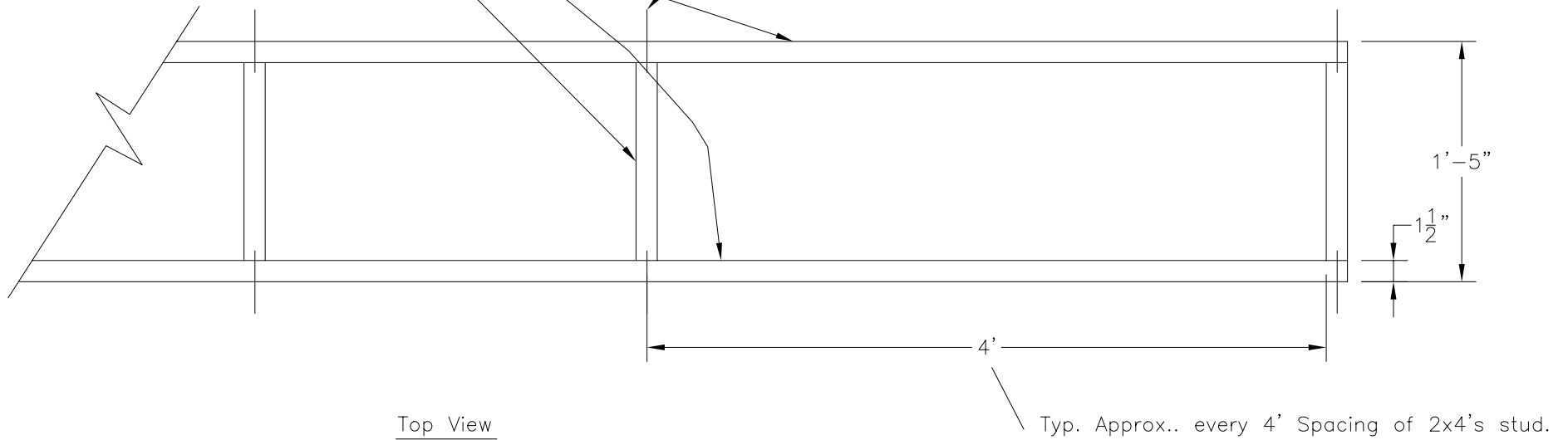
Side Section View



Note: All Hollman future job  
will be 3 1/2" height base  
no 1/2" plywood.

2x4

Screw on  
or Nail on Optional



# Detail Drawing BASE CONSTRUCTION

DATE:	APPROVED:	DRAWN BY:
PROJECT:		
SCALE: 1"=1'0"	DRAWING NO. basection	